

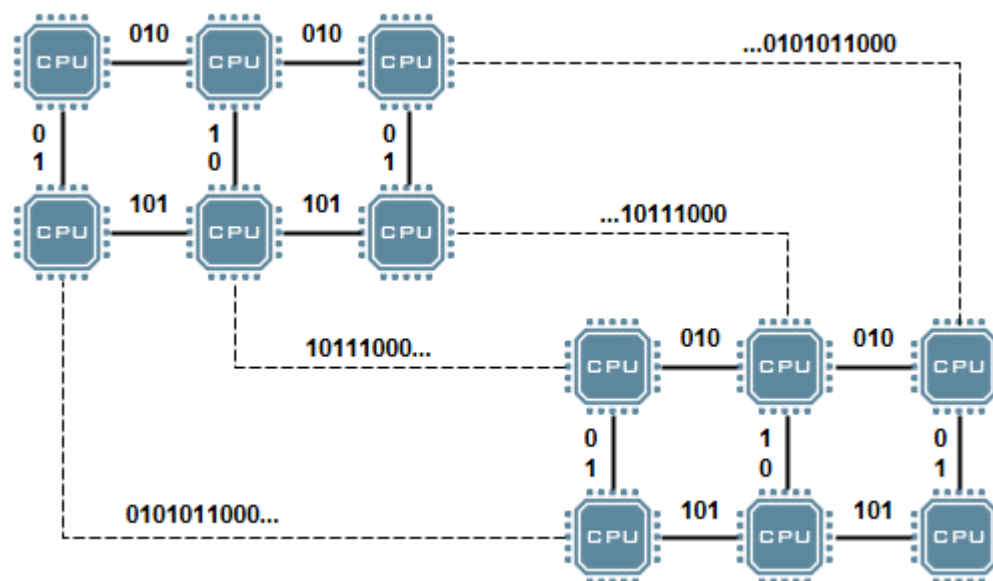
# Resilient and Efficient Communication in Many-Core Systems using Network Coding

## Scientific Seminar

Dr. Ing. Elke Franz  
(Technische Universität Dresden)

28 April, 14:00 - Room C308

Network coding is a promising approach for increasing throughput, energy efficiency, and reliability of data transmission. Therefore, the use of network coding for various scenarios has been investigated. This talk discusses the applicability on network coding for many-core network-on-chips.



This event is part of:  
**EBSIS – Event Based Systems in Iași**

A Twinning between Universitatea Alexandru Ioan Cuza din Iași,  
Université de Neuchâtel and Technische Universität Dresden

<http://ebsis.info.uaic.ro>



This project has received funding from the *European Union's Horizon 2020 research and innovation programme* under grant agreement No 692178