

Block Lectures on Multicore Programming

21 May 2018

Room: C112

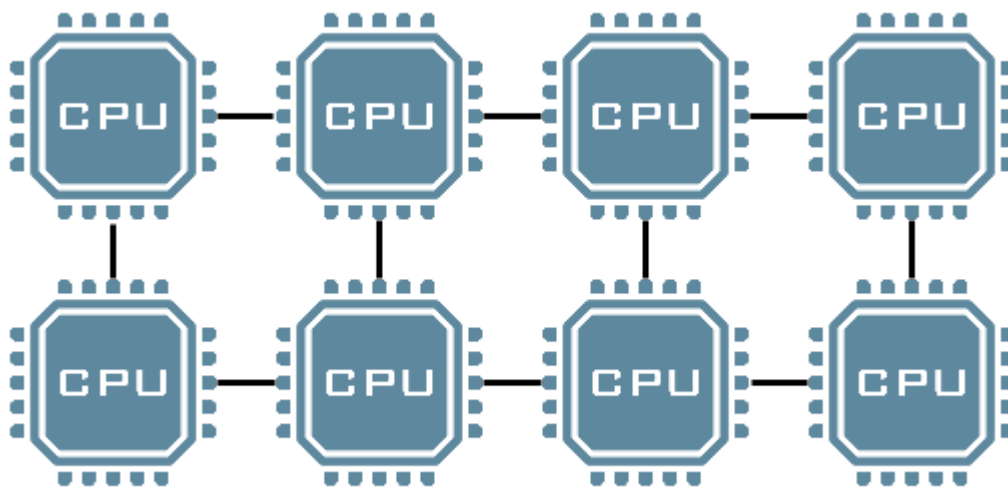
Speaker: Martin Nowack
(Technische Universität Dresden)

 **16:00 Part 1 – Introduction to Multicore Programming Using Lock-Free Data Structures**



17:40 Break - coffee, snacks and sweets

 **18:00 Part 2 – Performance Profiling and Evaluation of Single and Multicore Applications**



Lectures level: masters and terminal bachelor year
Access is open to all students

This event is part of:

EBSIS – Event Based Systems in Iași

A Twinning between Universitatea Alexandru Ioan Cuza din Iași,
Université de Neuchâtel and Technische Universität Dresden

<http://ebsis.info.uaic.ro>



This project has received funding from the *European Union's Horizon 2020 research and innovation programme* under grant agreement No 692178